

## Rhine

### 50W Compact LED Floodlight



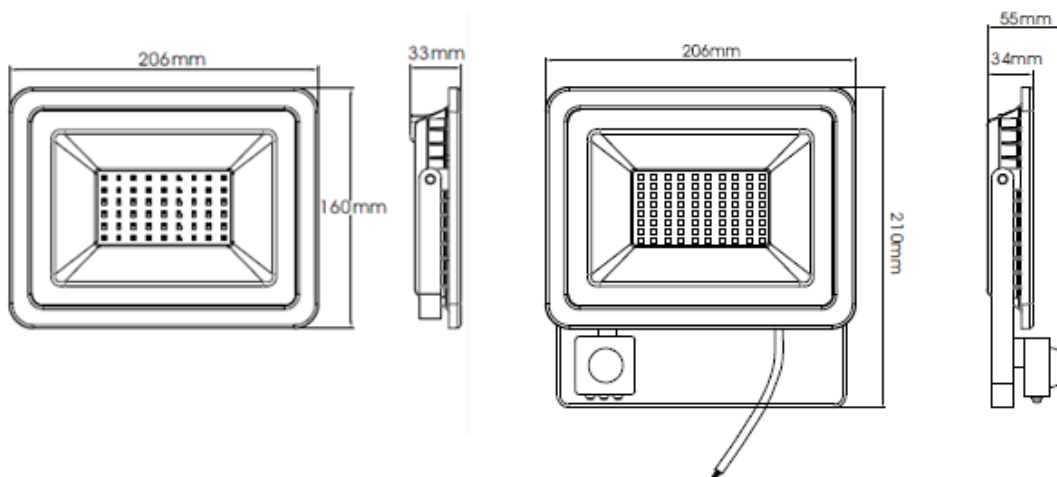
#### Overview

The Kosnic Rhine LED Floodlights make ideal replacements for energy-hungry halogen lighting. Suitable for outdoor use, the range offers affordable products with high lumen efficiency and a long life.

#### Features

- Class I, IP65
- High lumen output
- 30,000h rated lifetime
- Instant start
- Negligible UV output
- Elegant design

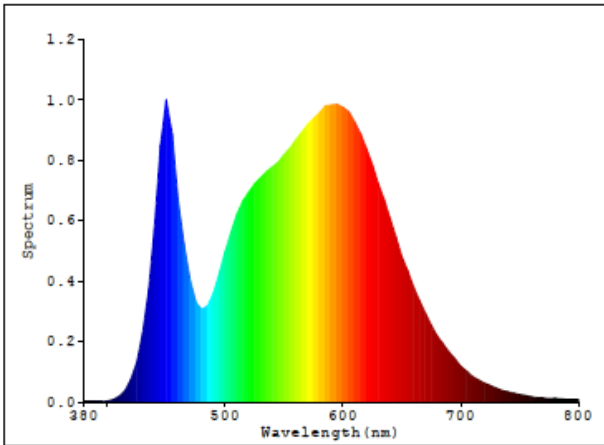
#### Dimensions



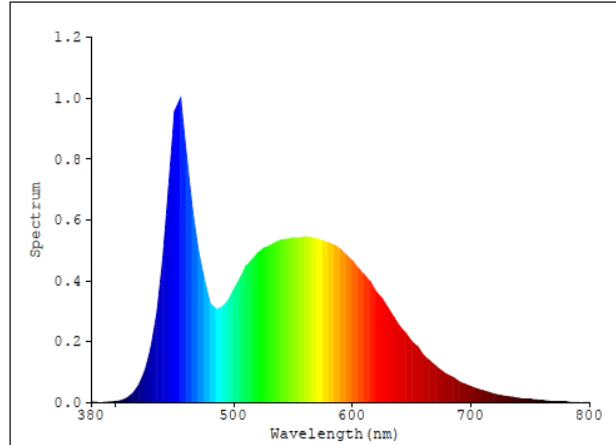
### Specifications

Product Code	KFLDHS50Q465-W40-BLK	KFLDHS50Q465/S-W40-BLK	KFLDHS50Q465-W65-BLK	KFLDHS50Q465/S-W65-BLK
Nominal Power	50 W	50 W	50 W	50 W
Voltage	220-240 Vac 50-60 Hz	220-240 Vac 50-60 Hz	220-240 Vac 50-60 Hz	220-240 Vac 50-60 Hz
Current	224 mA	229 mA	224 mA	229 mA
Protection	Class I, IP65	Class I, IP65	Class I, IP65	Class I, IP65
Connection	300 mm of H05RN-F 3 x 0.75 mm <sup>2</sup>	300 mm of H05RN-F 3 x 0.75 mm <sup>2</sup>	300 mm of H05RN-F 3 x 0.75 mm <sup>2</sup>	300 mm of H05RN-F 3 x 0.75 mm <sup>2</sup>
Luminous Flux	4000 lm	4000 lm	4000 lm	4000 lm
CCT	4000K Cool White	4000K Cool White	6500K Day Light	6500K Day Light
Nominal Lifetime	30000 h	30000 h	30000 h	30000 h
Beam Angle	110 °	110 °	110 °	110 °
Dimmable	No	No	No	No
Switching Cycles	25000	25000	25000	25000
Warm-up time to 60% $\Phi$	Instant full light	Instant full light	Instant full light	Instant full light
Suitable for accent lighting	No	No	No	No
Width	206 mm	206 mm	206 mm	206 mm
Height	160 mm	210 mm	160 mm	210 mm
Depth	33 mm	55 mm	33 mm	55 mm
Mounting Surface to Face	112 mm	137 mm	112 mm	137 mm
Mercury	0 mg	0 mg	0 mg	0 mg
Rated Power	50.0 W	50.0 W	50.0 W	50.0 W
Rated Luminous Flux	4000 lm	4000 lm	4000 lm	4000 lm
Rated Lifetime	30000 h	30000 h	30000 h	30000 h
Power Factor	0.97	0.95	0.97	0.95
LMF at Nominal Lifetime	0.70	0.70	0.70	0.70
SDCM of CCT	<6	<6	<6	<6
CRI	82	82	82	82
Start Time	0.05 s	0.05 s	0.05 s	0.05 s
Ambient Temperature Range	-20 to 40 °C	-20 to 40 °C	-20 to 40 °C	-20 to 40 °C
PIR Sensor	<b>No</b>	<b>Yes</b>	<b>No</b>	<b>Yes</b>
Sensor Type		Passive Infra-Red		Passive Infra-Red
Detection Zone		2 m to 10 m in 120 °		2 m to 10 m in 120 °
Hold-on Time		10 sec to 7 min		10 sec to 7 min
Ambient Light Threshold		3 to 2000 lux		3 to 2000 lux
Standby Power		≤0.9 W		≤0.9 W

## Photometric Information



4000K



6500K

## Energy Label

